

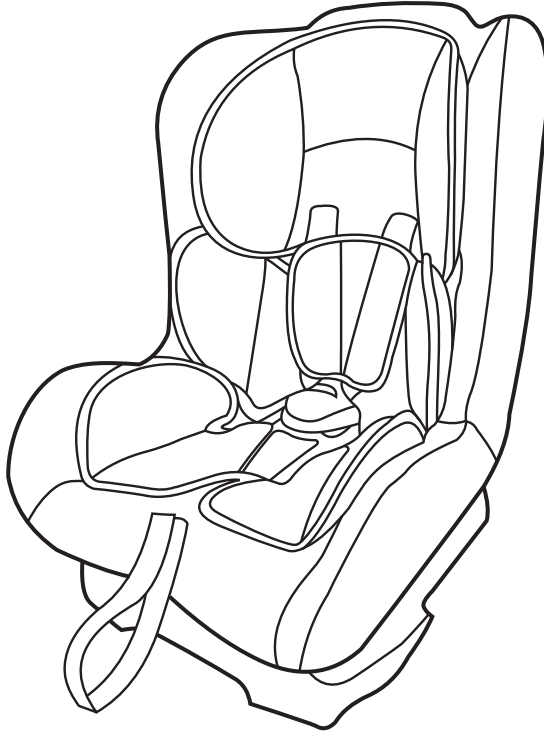
Age Group
0 to 06 Years

Carrying Capacity
Upto 25 kg

User Manual

3 in 1 Convertible Car Seat

Style Code: B6CS030



babyhug[®]

car seat

- 3-in-1 function (Infant + Booster + Convertible)
- 5 Point Safety Harness
- Soft Padded Seat
- 3 Reclining positions

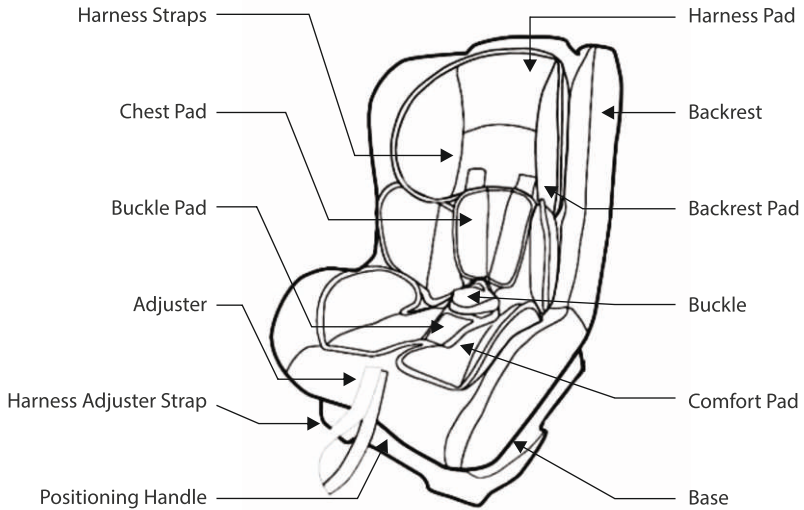
This is a "universal " category child restraint, approved by Regulation No.44.04. Suitable for all vehicles fitted with 3-point safety seat belt.

Please read the instructions carefully before using the product and keep it safe for future reference.

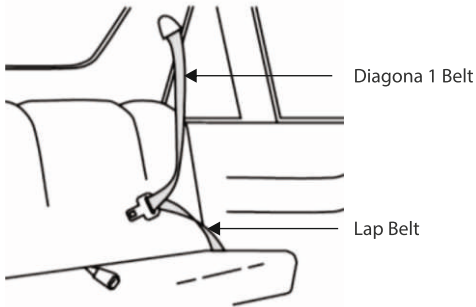
WARNING

1. Do not use this child seat in Passenger seats equipped with air bags.
2. This car seat is suitable for 0-25kg (group 0+,I, II). Group 0+ (0-13kg): rearward facing , Group I/II (9-25kg : forward facing.
3. This child seat can only be installed in a car using a three-point lap and diagonal seat belt.
4. It is advised to install the child car seat on the rear seat of the vehicle.
5. Never use the child seat without fastening it into the car.
6. It is dangerous to make any alteration or additions to the device. Follow the installation instructions closely provided by the child restraint manufacturer.
7. Do not leave your child unattended in the seat at any time.
8. The seat should be kept away from sunlight otherwise it may be too hot for the child's skin.
9. The child must be taught never to play with the buckle.
10. Any luggage or other objects liable to cause injuries in the event of a collision shall be properly secured.
11. Periodically inspect the harness for wear, paying particular attention to attachment points, stitching and adjusting devices.
12. The rigid items and plastic parts of a child restraint must be so located and installed that they are not liable, during everyday use of the vehicle to become trapped by a moveable seat or in a door of the vehicle.
13. Always make sure that any straps holding the seat restraint to the vehicle shall be tight, any straps restraining the child should be adjusted to the child' body, and check that the straps should not be twisted.
14. The seat device should be replaced when it has been subject to violent stresses or any accident.
15. Do not use any load bearing contact points other than those described in the instructions.
16. Store this child seat in a safe place when it is not being used. Avoid placing heavy objects on top of it. Do not allow your child seat to come into contact with corrosive substances e.g. battery acid.
17. The child restraint must not be used without the cover. The seat cover should not be replaced with any other than the one recommended by the manufacturer, because the cover constitutes an integral part of the restraint performance.
18. Warranty stands void if the product is not used in accordance with the instruction manual, or any alterations are made to the product.

PART & FITTING



SEAT BELT



Warning:

The car seat should not be fitted in a passenger seat of a car that has an air bag fitted (SRS).

CORRECT SHOULDER STRAP HEIGHT



Not Too Low



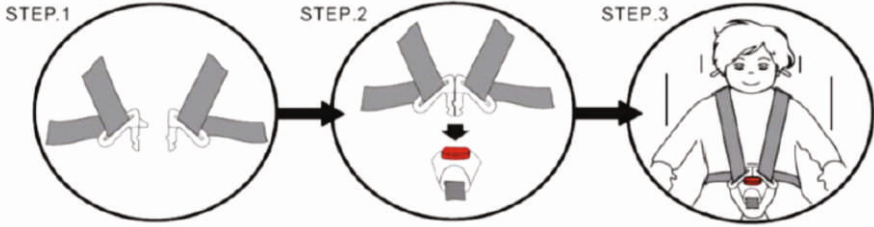
Not Too High



Correct

Always check that the shoulder straps are at the correct height for your child. The child's shoulders should always be below the slot for the harness.

FASTENING THE SAFETY SEAT BUCKLE



1. Place the two metal sections of the buckle connectors together.
2. Insert the two buckle connectors into the slot in the top of the buckle until they „click‘ into the place.
3. Always check the harness is correctly locked by pulling the shoulder straps upwards. To release the harness, press the red button on the buckle downwards.

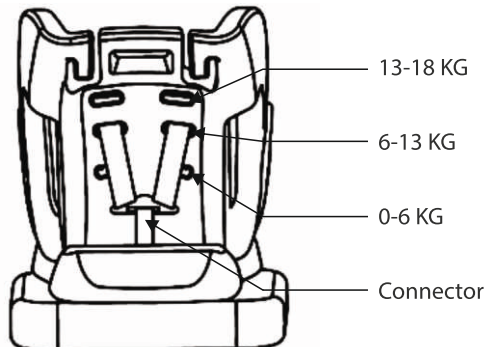


TIGHTING THE HARNESS

- Pull the shoulder straps upwards to remove the slack from the lap sections of the harness then pull the adjuster strap until the harness is fully tightened.
- The harness should be adjusted as tightly as possible without causing discomfort to your child.
- A loose harness can be dangerous.
- Check the harness adjuster and tighten each time the child is placed in the seat.

SLACKENING THE HARNESS

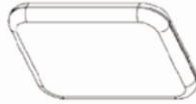
The harness is slackened by pressing the adjuster (as shown in the picture) on the front of the seat. Press down the adjuster as you grip the two shoulder straps with your other hand. Pull the shoulder straps towards you to loosen the harness.



COMFORT PAD USE



Comfortable Pad - A

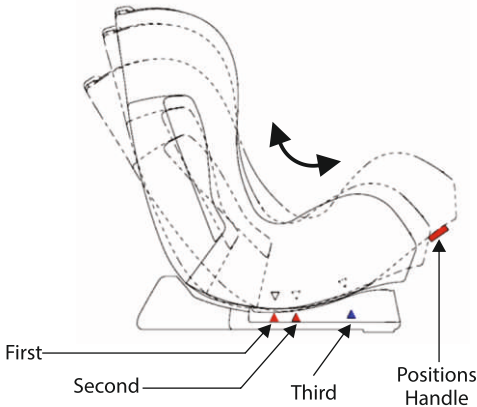


Comfortable Pad - B

In order to make the child feel more comfortable, the car seat uses two comfortable pads, follow the instructions as mentioned below:

1. 0-4 KG: Put the Comfortable pad B into the pocket of the Comfortable pad A, then put it in the car seat.
2. 4-9 KG: Use only the Comfortable pad A.
3. 9-18 KG: No comfort pads are needed

BACKREST RECLINE POSITIONS



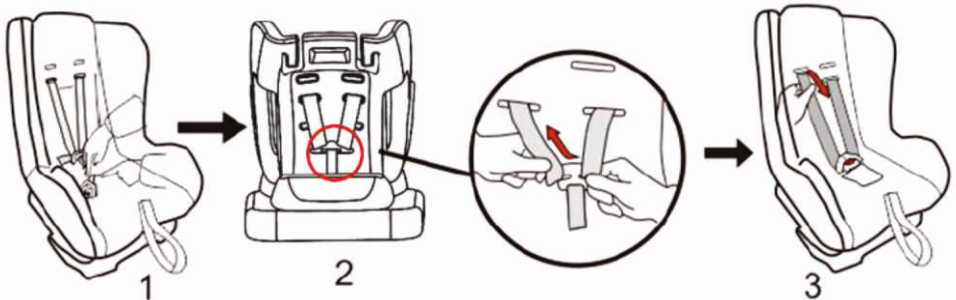
This car seat has three different backrest recline positions, it makes the baby feel more comfortable. The first and second positions are for the forward facing, the third position is for the rearward facing.

Adjustment: Hold the backrest with one hand and pull the handle with the other. Position the seat as required, click sound indicates it is securely fixed.

Attention: Ensure the seat is in proper reclining position and fasten the car seat belt.

Do not adjust the reclining positions after fastening the car seat belt.

REMOVING HARNESS STRAPS AND BUCKLE



Step 1: First, open the buckle. Then, remove the buckle cushion and seat cushion. Finally, take out the buckle from the slot under the base of the child seat.

Step 2: Find the metal hook connecting the harness straps at the back of the child car seat.

Step 3: Take one strap out from the metal hook, and pull it out from the slot.

Step 4: Repeat the same operation for the other strap, and take out the straps from the slot under the base of child seat.

If you want to reassemble the harness straps, repeat the processed mentioned above in reverse. Make sure both the straps are inserted at same height.

Notice: Keep the harness with all parts in a safe place for future use.

REARWARD FACING

Step 1



Step 2-1



Step 2-2



Step 2-3



Rearward facing - Suitable for 0+ group (0-13KG)

Step 1. Make the recline position to the third position (fully reclined). Place the child car seat as shown in the picture. (Step 1)

Step 2. Insert the car seat belt through the child car seat as shown in the picture. Diagonal seat belt will pass through the loop behind and the lap belt will pass through the slots near the waist. Lock the car seat belt.

Note: Check the webbing of the seat belt has not become twisted or tangled. Hold the diagonal belt and the lab belt, make sure no spare belt is left. Check the child seat if it is securely fixed on the car seat

Step 3. Release the safety harness buckle on the child car seat.

Step 4. Place your child into the child seat. Check the height of the shoulder straps on the correct position and fasten the buckle. Check that the harness has not become twisted and also check that the cover is not impeding the movement or fit of the harness in anyway.

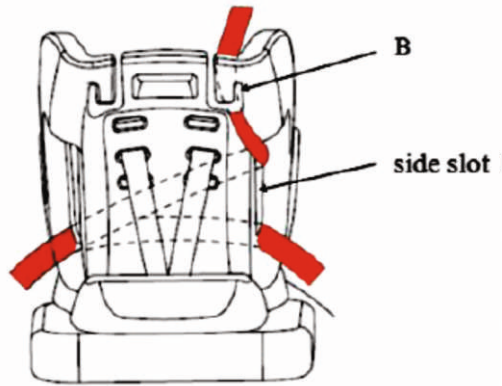
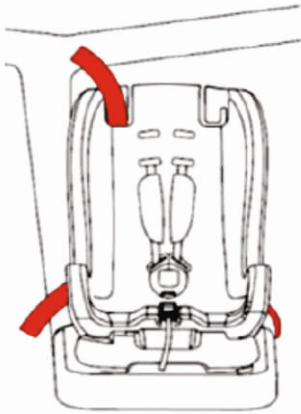
Step 5 . Pull the harness strap , till it makes the baby comfortable. To disassemble the child seat, repeat the above prescribed procedures in reverse order.

FORWARD FACING

Forward facing - Suitable for the group I(9-18kg) ,the first and second position is for the forward facing.

Step 1. Place the child safety seat on the vehicle's seat ensuring it is firmly press against the car seat backrest.

Step 2. Insert the car seat belt through the hook from the top of the backrest (position B),then insert the diagonal belt and the lap belt through the side slots of the backrest. Fasten the belt into the seat belt buckle with a noticeable 'click'. Check the webbing of the seat belt has not become twisted or tangled. Also check that the belt buckle is correctly positioned. Hold the diagonal belt and the lab belt, make sure no spare belt is left. Check the child seat if it is securely fixed on the car seat.



Step 3. Release the safety harness buckle on the child car seat.

Step 4. Place your child into the child seat. Check the height of the shoulder straps on the correct position and fasten the buckle. Check that the harness has not become twisted and also check that the cover is not impeding the movement or fit of the harness in any way.

Step 5 . Pull the harness strap , till it fit the baby comfortable. To disassemble the child seat, repeat the above prescribed procedures in reverse order.

FORWARD FACING : GROUP II (15-25KGS), INSTALLED WITH THREE-POINT SAFETY



Step 1: Remove the harness straps and buckle as mentioned under removing harness strap and buckle

Step 2: Take off the headrest cushion and seat cushion.

Step 3: Place the child seat on car seat, and make sure that the backrest of child seat should be firmly pressed against car seat.

Step 4: Place your child in the child seat.

Step 5: Place the diagonal belt across your child's hips, and then place the lap belt through the ellipse hole of child seat as shown in the picture.

Step 6: Fasten the buckle of car seat until you hear a clear "Click". Check whether the buckle is locked safely by pulling the shoulder straps upwards.

Step 7: Tighten the vehicle seat belt by pulling on the diagonal section.

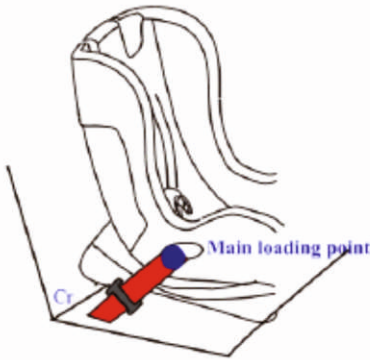
If you want to release the child seat:

Step 1: Open the buckle of vehicle seat belt.

Step 2: Take out the vehicle seat belt from the guide hooks of child seat.

MAIN LOADING POINT

Be sure the distance between main loading point and Cr point (shown in picture) must be more than 150 mm.



CARE AND MAINTENANCE

These instructions are important. Please read carefully and retain for future reference.

1. Cover remover: First remove the buckle of the child seat, then slide the backrest cover off. The covers can now be cleaned.

Important: The cover is a safety feature. Never use the child seat without it. Don't put your child's safety at risk by using other replacement cover. This could hinder the performance of the child car seat.

WASHING INSTRUCTION:

- The cover is removable and washable at 30 degrees, line dry only.
- Do not clean or allow to come into contact with solvents or harsh chemicals. Babyhug Multipurpose Liquid Cleanser is best recommended



Machine Wash
Cold



Do Not Bleach



Dryclean



Do Not Tumble
Dry



Do Not Iron

Imported & Marketed by:

Brainbees Solutions Pvt. Ltd.

Corporate & Registered Office Address:

Rajashree Business Park, Plot No.: 114,
Survey No. 338, Tadiwala Road,
Near Sohrab Hall, Pune - 411001

For Any Feedback, Contact:

Customer Care Executive No.: 020-46608179

E-mail: customercare@brainbees.com

Customer Care Address :

Same as Marketer's address