


12cm

0 to 8
Months

Carrying Capacity
up to 15 Kg

User's Manual
Babyhug Cozy Nest Cradle

Style Code : NUBF031



babyhug®

baby furniture

■ Tool Free Assembly

■ Bearing for Smooth Swing

■ Sturdy Frame

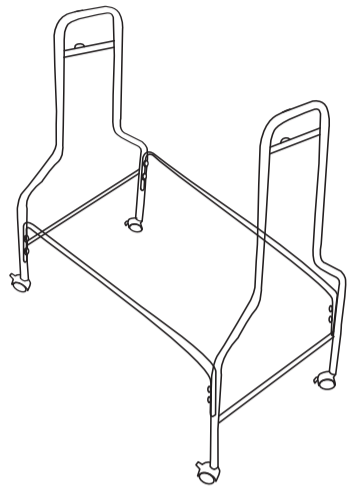
■ Wheels with Break

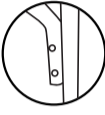
Please read the instructions carefully before using the product.
Keep the instruction manual for future reference

17
cm

Assembly Instruction

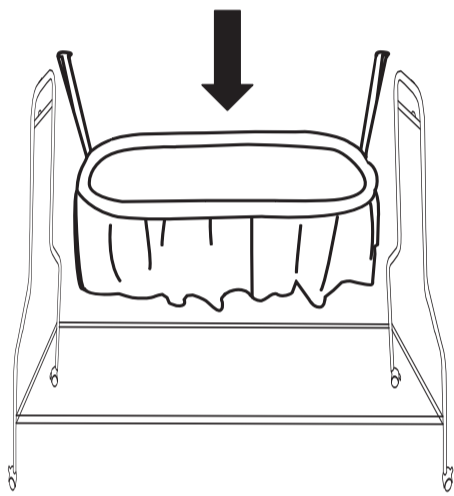
Assemble the two heads of cradle with inner wave by using screw provided.



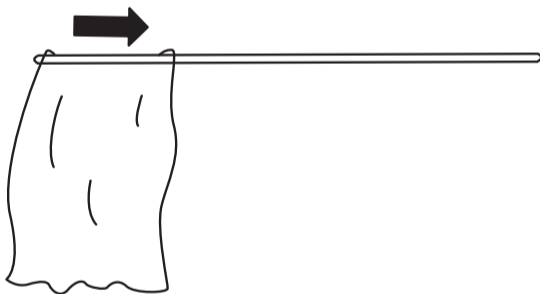


Fix with Screw

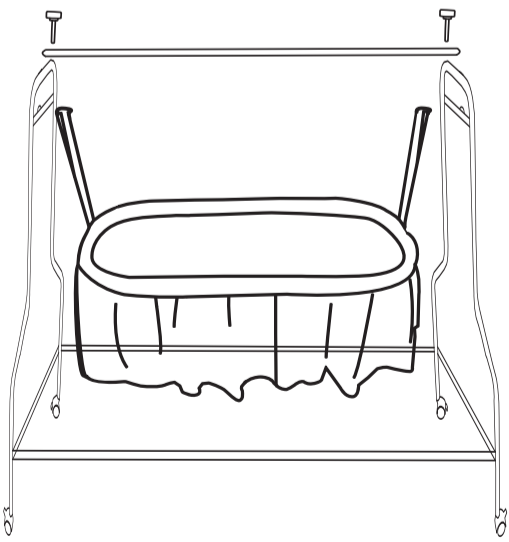
Hang the Bassinet on plastic bearing on each side of the frame as shown in the picture.



Insert the rod inside mosquito net as shown in the picture.



Fix the rod with net as shown in the picture.



Assemble the wheel whenever required. Cradle can also be used without the wheels.

Care & Maintenance:

- The Cradle is suitable for kids in 0 to 8 Months
- The maximum weight capacity is 15 kilograms. Do not exceed the weight limit.
- Do not leave the child unattended when using the bed.
- Please use the brakes whenever to stop the movement.
- Please keep the plastic covering (plastic bags) away from your baby in order to avoid the risk of suffocation

Warning:

- The cradle should always be locked when the child is unsupervised.
- Young children should not be allowed to play in the vicinity of the cradle.
- The cradle should always be placed on a firm and level surface.
- A mat size of 89 cm in length and 51 cm in width is suggested
- The thickness of the mattress should be such that the distance from the top of the mattress to the top of the cradle sides should not be less than 20 cm.
- Do not leave anything in the cradle or place the cradle close to other items, which could provide a foothold or present a danger of suffocation or strangulation.
- All assembly fittings should always be tightened properly and fittings should be checked regularly and re-tightened as and when necessary.
- Do not use the product next to the door, stair & footstep. It must be used at a flat and barrier free place.
- Do not use the body of cradle without the frame.
- Be aware of the risk of open fire and other sources of strong heat, such as electric bar fires, gas fires, etc. in the near vicinity of this cradle and do not place it near windows or other furniture.
- When the child is able to sit, kneel or pull itself up, the cradle should not be used anymore for this child.
- Do not use the cradle if any part is broken, missing or torn.

Manufactured & Marketed By
Brainbees Solutions Pvt Ltd
Rajashree Business Park,
Plot No: 114, Survey No. 338,
Tadiwala Road,
Near Sohrab Hall, Pune 411 001

Customer Care
☎ 020 - 46608179
✉ customercare@brainbees.com

Made in India