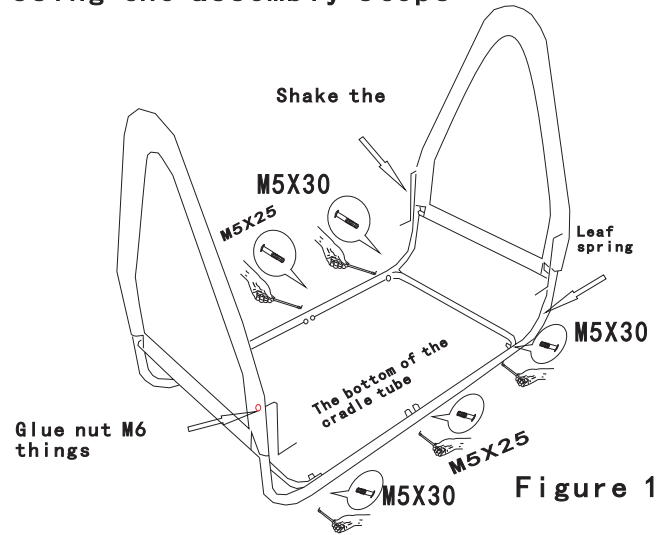


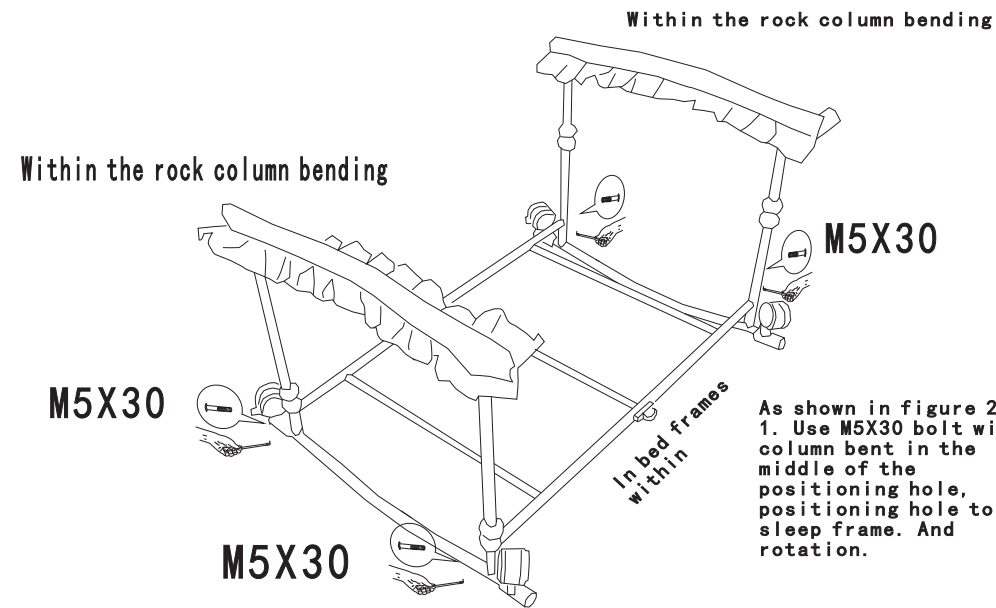
# The instructions

## Using the assembly steps



As shown in figure a  
 1. The spring on the cradle bend piece, please  
 The tube into the bottom of the cradle of silence a  
 hole, reoccupy M5X  
 30 the bolt with a cradle of  
 bottom tube positioning  
 hole,  
 For fixed tube positioning  
 hole and the M5 with glue  
 Nut rotation.  
 2. Put one end of the  
 swinging wire and add 5 mm  
 hole  
 Iron pad. Weaving, cradle  
 bottom tube positioning  
 hole, again  
 Add 5 mm hole iron gasket  
 and M6 tight nut  
 Rotating tight.

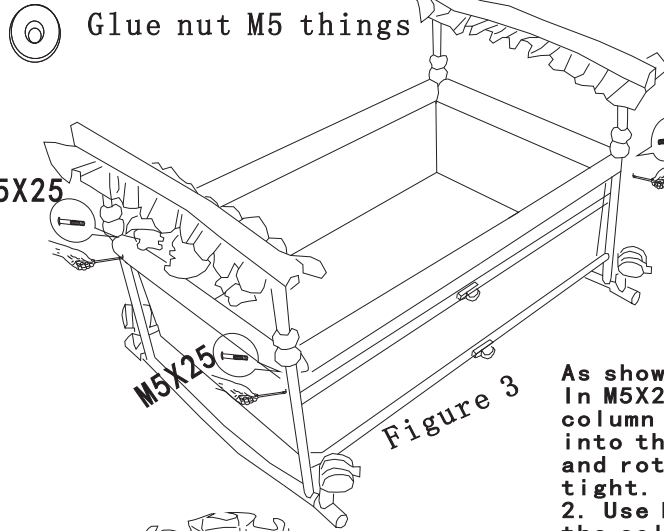
Figure 1



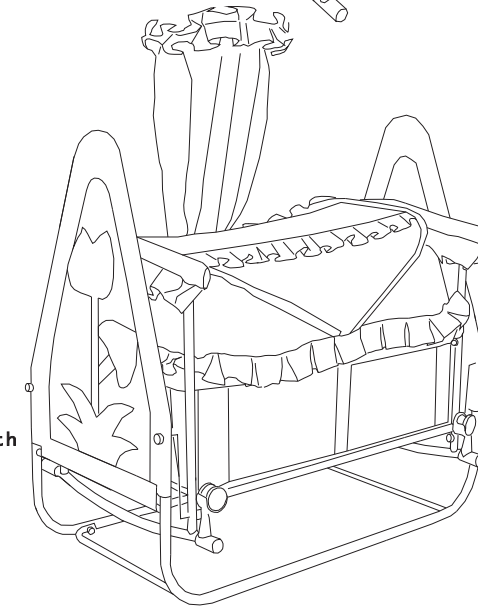
As shown in figure 2  
 1. Use M5X30 bolt with  
 column bent in the  
 middle of the  
 positioning hole,  
 positioning hole to  
 sleep frame. And  
 rotation.

Figure 2

Please read the instructions before using this product, it will tell you the right operation method and the installation steps, in order to avoid incorrect operation method and damage to the product or hurt your baby. This manual should be completed for safekeeping and placed in easy to take place.



As shown in figure 3  
 1. In M5X25 bolt thrust deep into the  
 column tube positioning holes,  
 into the sidebar positioning hole,  
 and rotate the M5 with glue nut is  
 tight.  
 2. Use M5X25 bolt thrust deep into  
 the column tube positioning hole,  
 the inside the horizontal tube  
 positioning hole and rotation.  
 3. The bed board tile, shake



As shown in figure 4  
 1. Will figure 3 into the tutu  
 no.1 middle school  
 2. Don't a wire back to figure  
 3  
 The bottom of the column tube  
 positioning hole and M6  
 Nut rotation.  
 3. Use M5X25 bolt circle of  
 fixed bed nets,  
 Installed nets,

Figure 4

