

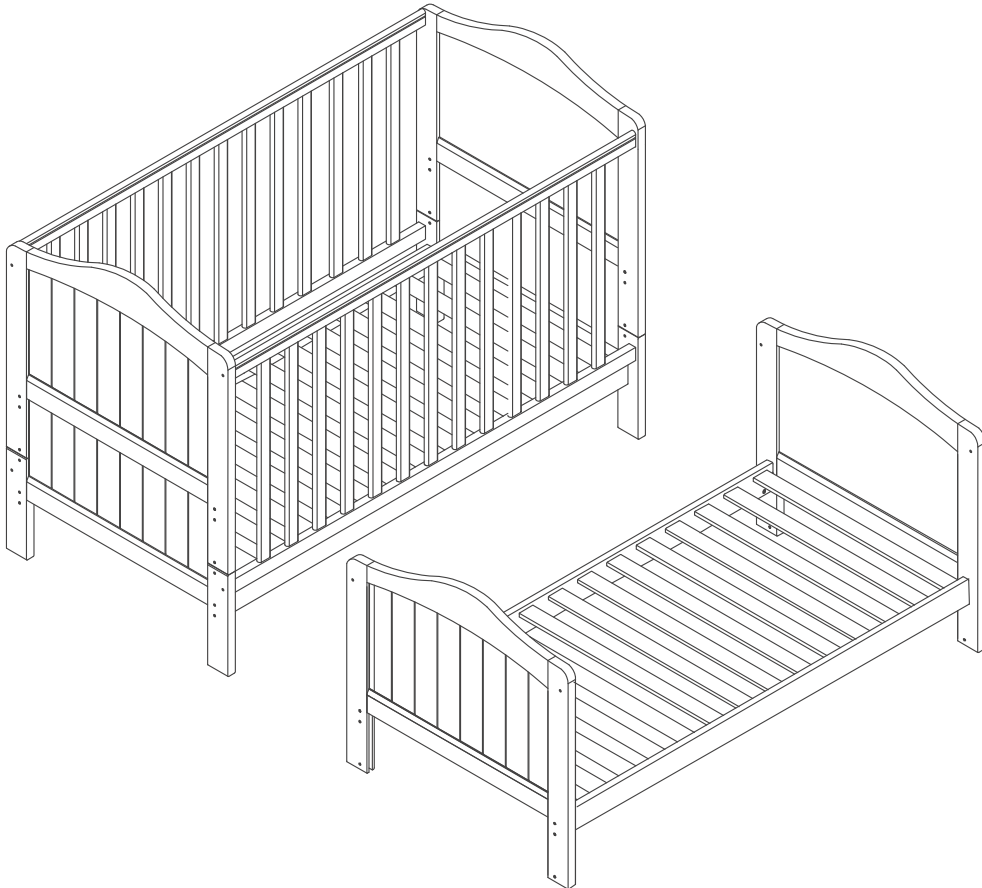
0 to 48
Months

Carrying Capacity
up to 20 kg

User's Manual

Babyhug Merlino Cot Bed

Style Code : NUBF020



babyhugTM

baby furniture

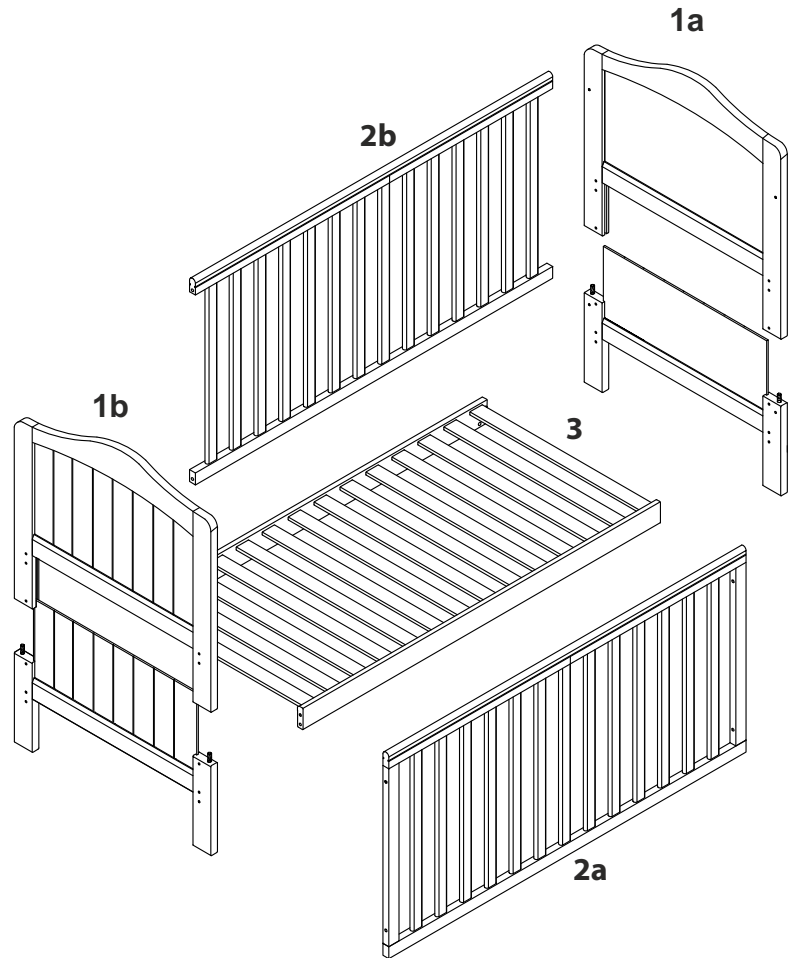
- 2 in 1 Cot Bed
- 3 Level Adjustable Base Height
- Sturdy Frame
- Elegant Look

Please read the instructions carefully before use and keep this manual for future reference.

Assembly Instructions

Contents:

- 1a Head Board : 1
- 1b Foot Board : 1
- 2a Front Side : 1
- 2b Back Side : 1
- 3 Base : 1
- M6*90 mm Bolts : 8
- M6*60 mm Bolts : 8
- Barrel Nut : 16
- Plastic Washer : 16
- Allen Key : 1






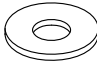
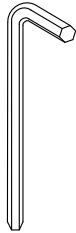
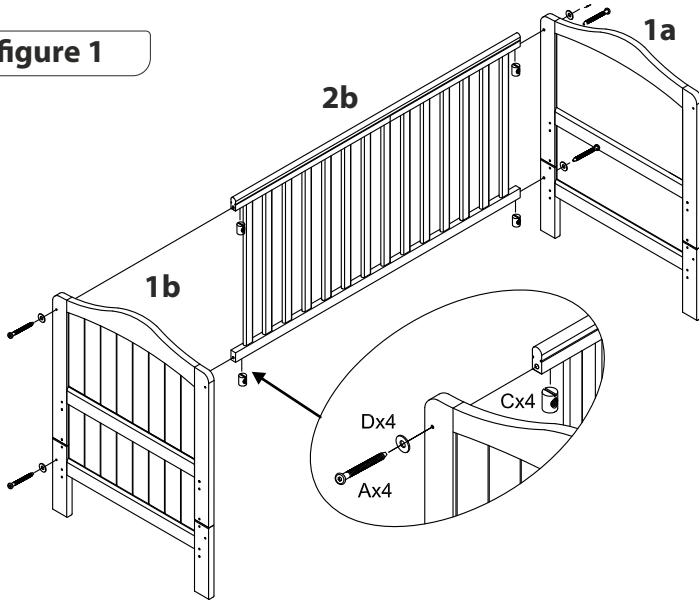
A	B	C	D	E
				
M6x60	M6x90	Barrel Nut	Plastic Washer	Allen Key
X8	X8	X16	X16	X1

figure 1

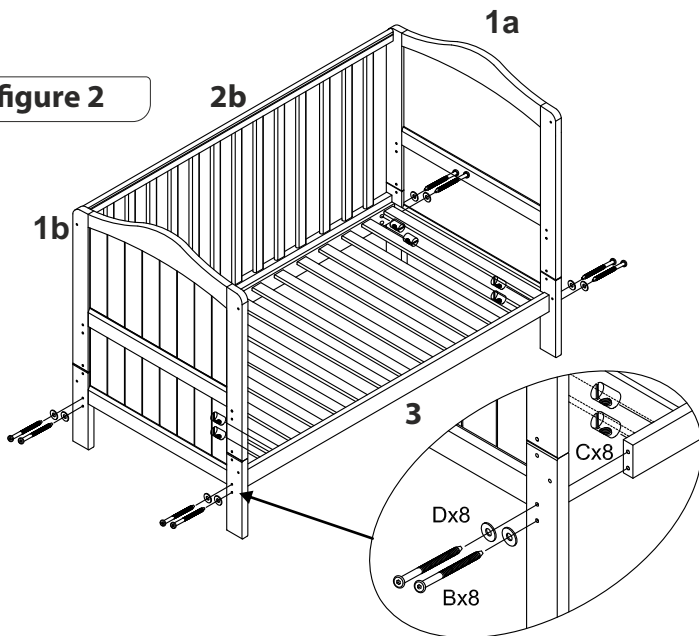


Cot Bed Mode :

Step 1:

As shown in figure 1, Connect the head and foot boards with the back side of the cot with bolt (M6*60mm), washer and barrel nut. Insert the bolts part way to stop the setup from moving.

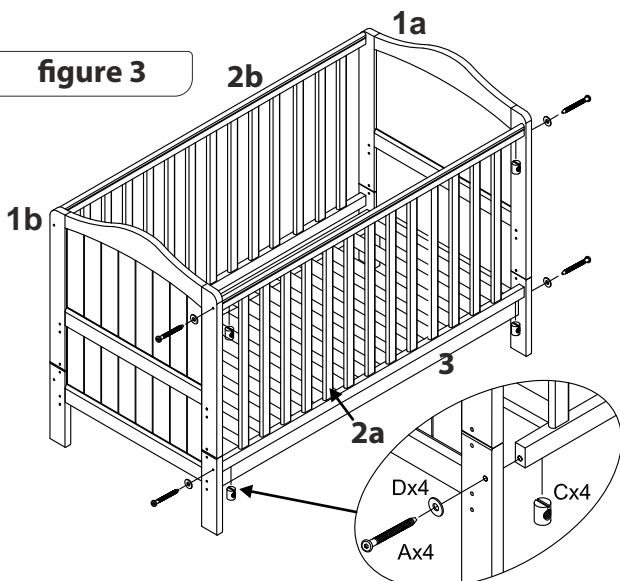
figure 2



Step 2:

As shown in figure 2, insert two barrel nuts into the holes in one corner of the base and align the slots with the bolts (M6*90 mm). Once aligned, screw the bolts and plastic washer into the barrel nuts, but do not fully tighten at this stage. Repeat for the other corners.

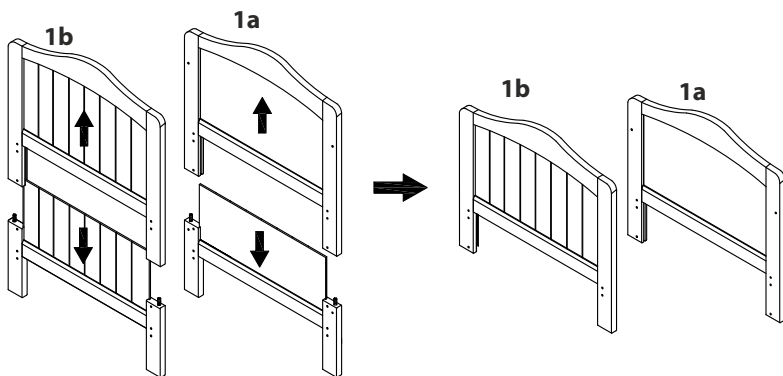
figure 3



Step 3:

As shown in figure 3, attach the front side to both head and foot boards using one bolt (M6*60 mm), plastic washer and one barrel nut at each corner. Finally fully tighten the side and base bolts.

figure 4

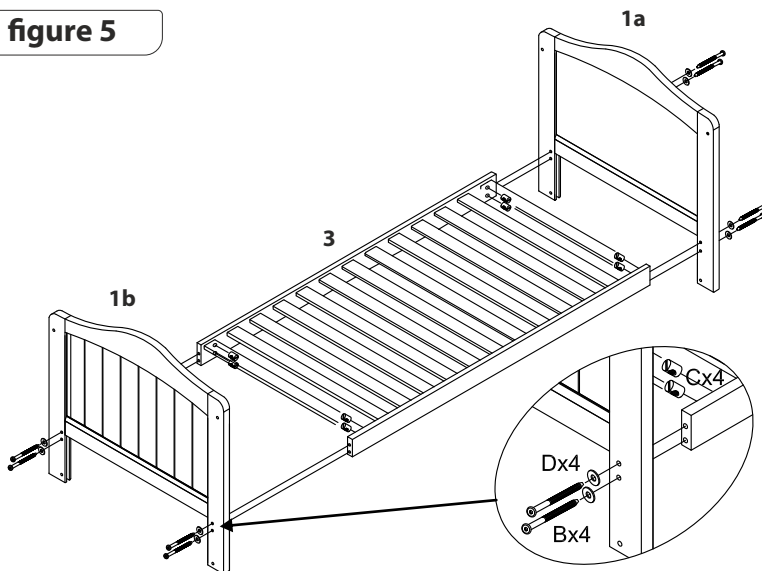


Bed Mode

Step 1:

Dismantle the cot bed carefully and place all parts to one side. Separate the upper and lower parts of both head and foot boards as shown in figure 4 (Note: Any part not used for bed mode would be needed for other modes when converting. So store all parts safely)

figure 5



Step 2:

As shown in figure 5, insert two barrel nuts with plastic washers into the holes in one corner of the base and align the slots with the bolts. Once aligned, screw the bolts into the barrel nuts, but do not fully tighten at this stage.

Step 3:

Repeat above steps for the other corners and fully tighten all the bolts.

Safety Warning:

- Be aware of the risk of open fire and other sources of strong heat in the near vicinity of the child's cot or bed
- Do not use the child's cot or bed if any part is broken, torn or missing
- Do not leave anything in the cot that could present a danger of suffocation or strangulation
- Do not use more than one mattress in the cot
- In cot mode 3 base height positions are possible. The lowest position is the safest and should always be used as soon as baby is old enough to sit up
- While at the lowest base position, ensure that the surface of the mattress and the upper edge of the cot frame are at least 50 cm apart
- While at highest base position, ensure that the surface of the mattress and the upper edge of the cot frame are at least 20 cm apart
- The cot bed is suitable for a mattress of 140 cm in length and 70 cm in width
- To prevent injury from falling, when the child is able to climb out of the cot, the cot should no longer be used for that child. The cot should be converted to a bed
- The safety of the cot could be adversely affected by fitting flammable drapes
- The cot should be placed either tight to any wall or have a gap of 30 cm between the wall and the side of the bed
- The bed should be carefully dismantled for storage or transportation

Care:

- Regularly check the tightness of bolts and tighten as necessary
- Check for damage which could render your cot or cot bed unsafe or cause splinters
- To clean, use a soft cloth, avoiding the use of strong detergents or abrasives
- An occasional light application of a wax polish will help maintain a good appearance

Imported & Marketed By

Brainbees Solutions Pvt. Ltd.
Corporate & Registered Office Address:
Rajashree Business Park, Plot No: 114,
Survey No. 338, Tadiwala Road,
Near Sohrab Hall, Pune 411 001

Customer Care :

☎ 020-30556310
✉ customercare@brainbees.com

Made in PRC