

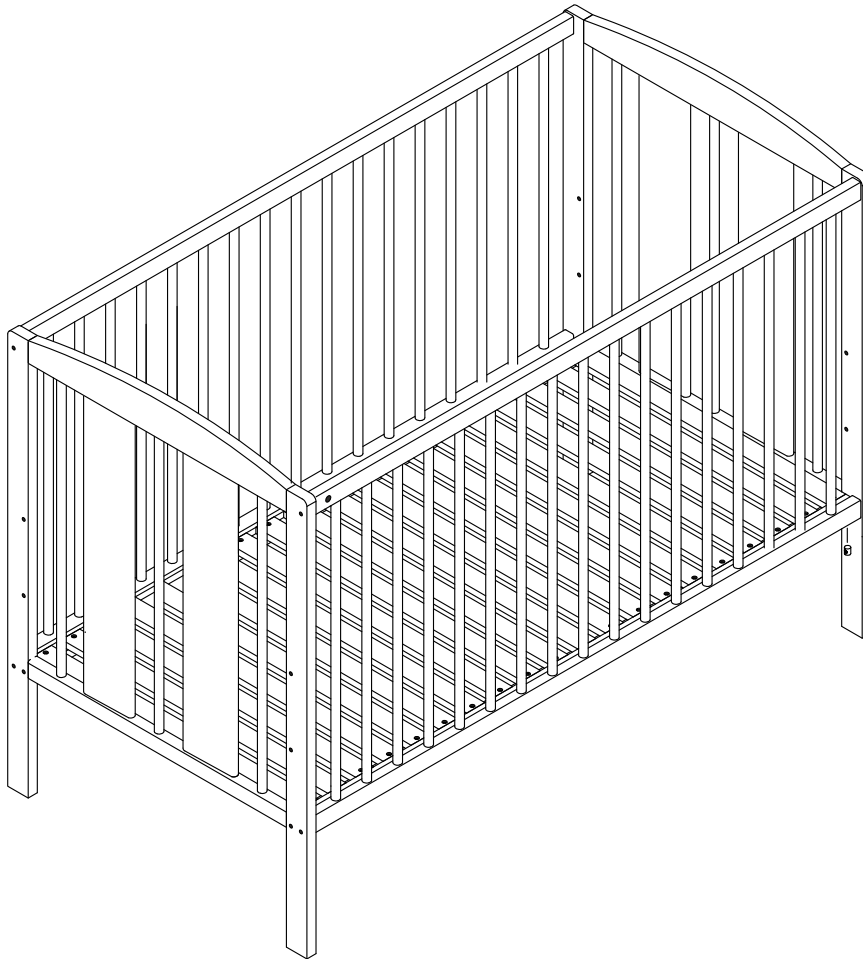
0 to 48  
Months

Carrying Capacity  
up to 20 kg

User's Manual

Babyhug Malmo Cot Bed

Style Code : NUBF017



**babyhug™**

**baby furniture**

- Sturdy Frame
- 3 Level Adjustable Base Height
- Hypoallergenic Paint

Please read the instructions carefully before use and keep this manual for future reference.

## Safety Warning :

- Of the 3 base heights, the highest one should be used only till the baby learns to sit up. The lowest level is the safest option for babies as soon as they are old enough to sit up by themselves
- Do not leave anything in the cot that could present a danger of suffocation or strangulation
- Place the cot away from objects that could provide a foothold for the child or could suffocate him or her such as strings, blind/curtain cords, etc
- Do not use more than one mattress in the cot
- Do not place your cot in the close proximity of an open fire and other sources of heat, such as radiators electric or gas fires
- The mattress should not be thicker than 10 cm
- While at the lowest base position ensure that the surface of the mattress and the upper edge of the cot frame are at least 50 cm apart
- While at highest base position ensure that the surface of the mattress and the upper edge of the cot frame are at least 20 cm apart
- The mattress should fit snugly into the cot. There should be no more than 3 cm gap between the mattress and the cot
- All assembly fittings should be tightened properly and care should be taken to ensure that no screws are loose. A child could trap parts of the body or clothing on loose screws
- Do not use the cot if any part is broken, torn or missing
- When the child is able to climb out of the cot, the cot shall no longer be used for that child
- Clean the cot by soft cloth

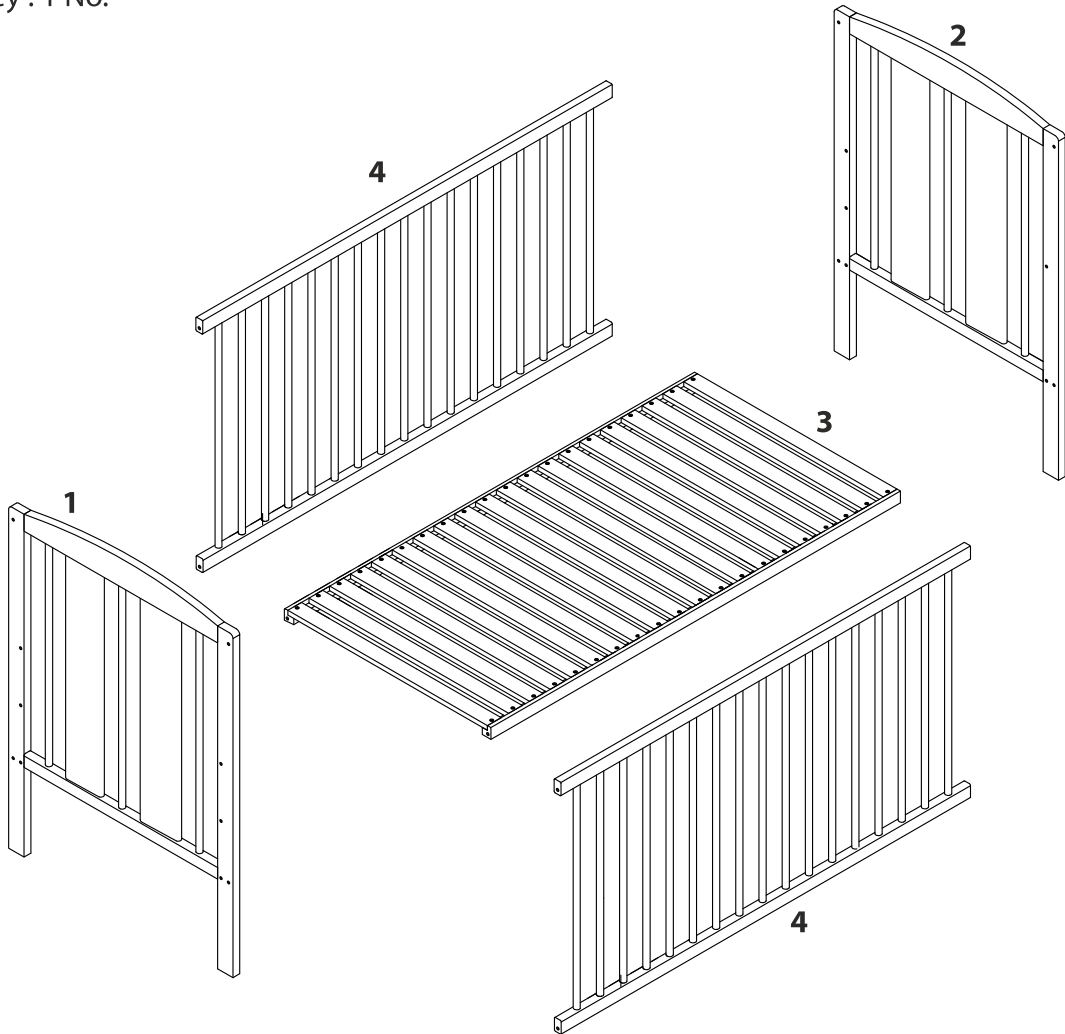
## Care

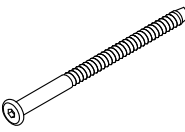


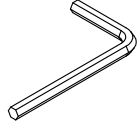
- Regularly check that all fittings and components of the cot are fully tightened and in working order
- Check for damage which could render your cot unsafe or cause splinters
- To clean use a soft cloth, avoiding the use of strong detergents or abrasives
- An occasional light application of a wax polish will help maintain a good appearance

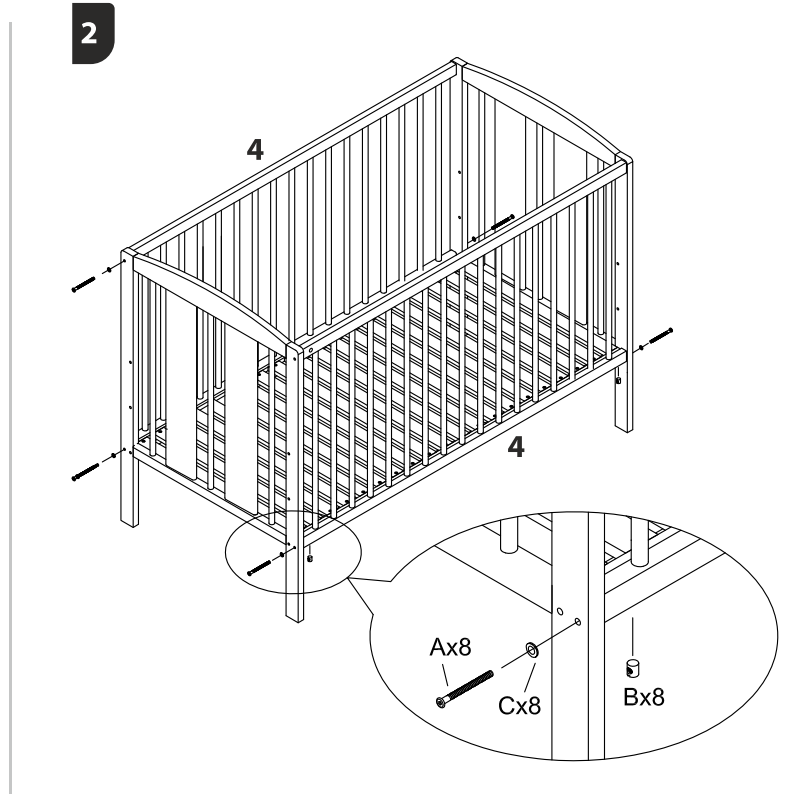
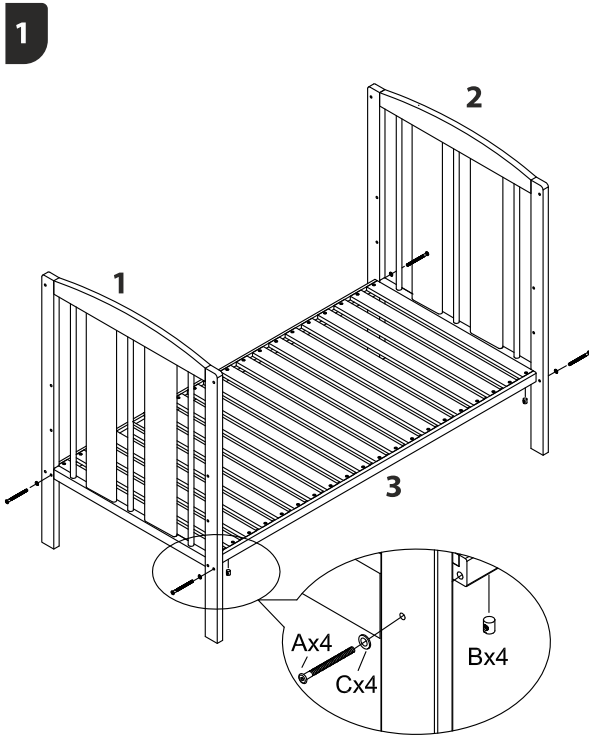
## Assembly Instructions

### Contents

- 1) Head Board : 1 No.
- 2) Foot Board : 1 No.
- 3) Base : 1 No.
- 4) Sides : 2 No.
  - M6\*60 mm Bolts : 12 No.
  - Barrel Nut : 12 No.
  - Plastic Washer : 12 No.
  - Allen Key : 1 No.



A	B	C	D
			
M6x60			
×12	×12	×12	×1



- As shown in figure 1, position the base at the preferred height, 1, 2 or 3 and insert the bolts part way to stop it from moving
- Insert two barrel nuts into the holes in one corner of the base and align the slots with the (M6\*60 mm) bolts
- Once aligned, screw the bolts and plastic washer into the barrel nuts, but do not fully tighten at this stage. Repeat for the other corners
- As shown in figure 2, attach the side boards of the cot and use M6\*60 mm bolts, plastic washer and one barrel nut at each corner to fit them into place. Fully tighten the bolts to keep all parts in place

### Imported and Marketed by :

Brainbees Solutions Pvt Ltd  
 Corporate & Registered Office Address:  
 Rajashree Business Park, Plot No: 114,  
 Survey No. 338, Tadiwala Road,  
 Near Sohrab Hall, Pune 411 001

### Customer Care :

☎ 020-30556310  
 ✉ [customercare@brainbees.com](mailto:customercare@brainbees.com)