

**babyhug™**

cradles & bassinets

**Warning :**

- Do not use the cradle if any part is broken or missing and use only the spare parts approved by the manufacturer
- Please keep the plastic covering (plastic bags) away from your baby in order to avoid the risk of suffocation
- Must be used on a flat and barrier-free place and not next to the door, stair and footsteps
- This cradle is designed for babies of 0 to 10 months
- The maximum weight this cradle can sustain is 15 kg
- Do not overload the cradle
- This cradle can be gently pushed for swinging function
- When in use, adult supervision is required
- Avoid storing the cradle in a place with extreme temperatures

**Imported For & Marketed By:**

Brainbees Solutions Pvt Ltd  
Corporate & Registered Office Address:  
Rajashree Business Park, Plot No: 114,  
Survey No. 338, Tadiwala Road,  
Near Sohrab Hall, Pune 411 001

Made in PRC

**Customer Care :**

☎ 020-30556310  
✉ [customercare@brainbees.com](mailto:customercare@brainbees.com)

12 Cm

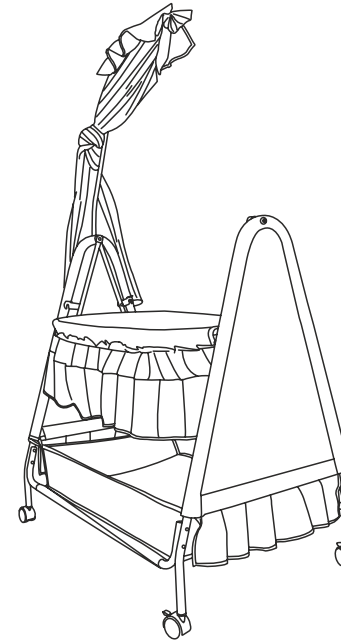
0 to 10  
Months

Carrying Capacity  
up to 15 Kg

User's Manual

Babyhug Angel Dreams Cradle

Style Code : NUBF013



**babyhug™**

cradles & bassinets

- Sturdy Frame
- Swing Lock
- Wheels with brakes
- Mosquito net

Please go through the manual before using the product.

17  
Cm

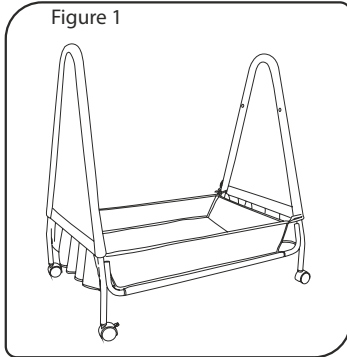
## Babyhug Angel Dreams Cradle

### Maintenance:

While cleaning the fabric of the cradle use a soft brush and mild cleaning detergents to remove stains gently.  
*Babyhug liquid laundry detergent is best recommended.*

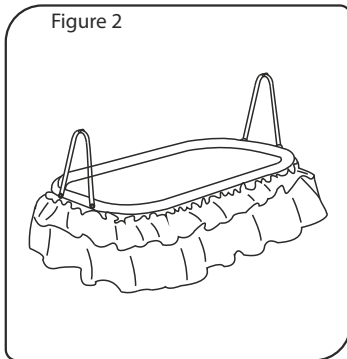
### Assembly Instruction:

Figure 1



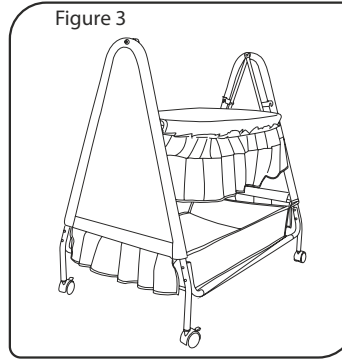
As shown in Figure 1, Join the head of cradle and the cradle enclosure by 8 M5\*35 bolts and M5 closed nuts.

Figure 2



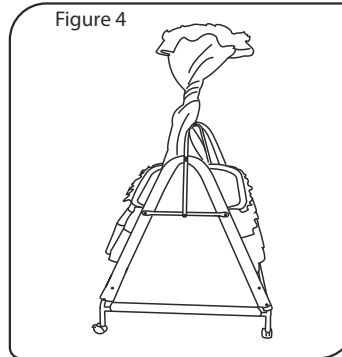
As shown in Figure 2, Fix the cradle bed with two tubes to form the "V" by 4 M5\*35 bolts and M5 closed nuts.

Figure 3



As shown in Figure 3, Put the cradle on the two support shifts, and join by the M5\*45 and M5\*57 bolts and closed nuts.

Figure 4



As shown in Figure 4, Align the tube to head of the cradle which will support the mosquito net, and fix with M5\* 45 bolt and two M5 closed nuts. Next, fix the tube with one M5\*30 bolt and a nut. Then fix the mosquito net ring to the top of the tube by two M5\*25 bolts and closed nuts, and finally put on the mosquito net.